

Artist Agreement:

1. The M.D.H.A. Waterfowl Stamp Program Committee will judge each entry on artistic merit. Entries containing improper subject matter or not conforming to contest rules will be eliminated.
2. The winning design may not be reproduced without M.D.H.A. consent.
3. M.D.H.A. will return the winning original entry approximately 90 days after competition. It will retain ownership of all printing, publishing, production and distribution rights, and may market other items such as t-shirts, caps, mugs, etc. containing the winning design.
4. The winning artist agrees to sign and number up to 650 prints, including 125 Conservation Edition, and stamps/panes.
5. The winning artist agrees to create up to ten color and five pencil remarques of the Conservation Edition prints and provide them to M.D.H.A. at no additional cost.

6. Prizes:

- a. **First place** winner will retain original and receive \$2,500.00 in Four increments, after signing and numbering prints, and remarques. They will also receive 50 total prints as Artist Proofs.
 - b. **Second place** winner will retain original and receive \$500 approximately 90 days after contest end.
 - c. **Third place** winner will retain original and receive \$250 approximately 90 days after contest end.
7. M.D.H.A. reserves the right to use photographs of any and all entries in any of its publications, news releases, and website.
 8. The winning artist agrees to proof stamps and prints at time of printing. The winning artist will also agree to serve as a judge in the 2014 competition.
 9. Item number eight above is waived for out of state winning artists unless they choose to travel at their own expense.

Judging:

1. The Waterfowl Stamp Program Committee will select a panel comprised of seven to ten judges. The panel will include representatives from M.D.H.A., Michigan DNR, Ducks Unlimited and at least one independent (noncompeting artist, printer, collector or waterfowl enthusiast).
2. Judges must not be an immediate family member (child or spouse) of entered Artist.
3. The panel will examine acceptable entries in three rounds:
 - > **Round one:** All entries judged for competitiveness.
 - > **Round two:** Entries are judged on (a) accuracy of anatomy, (b) proper habitat and (c) artistic composition.

[Each judge independently records a numerical score from one to ten (one being the lowest, ten the highest) on a written ballot in each of the three categories. The ballots are given to the Program Committee for tabulation and the top 3 entries receiving the highest score will advance to the final round. Ballots from the individual judges are confidential and remain the property of M.D.H.A.]

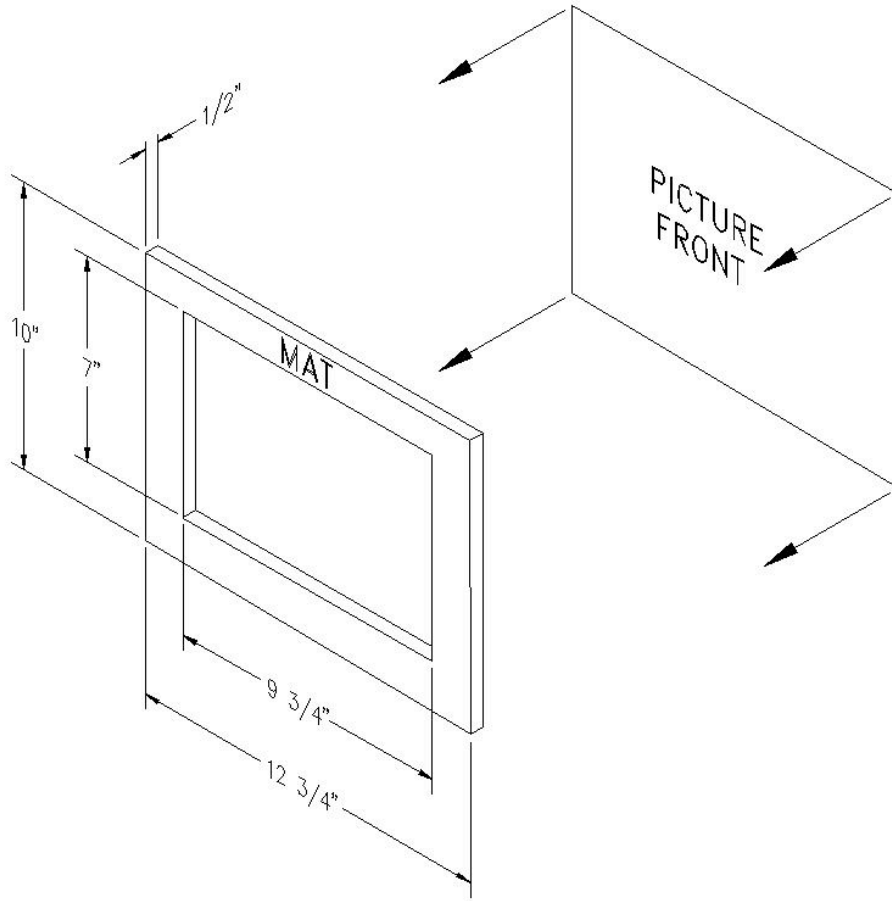
 - > **Round Three:** Judges will discuss and evaluate each entry before independently scoring his/her preference for first, second and third place winners. The entry receiving the most first place points will be judged the winner. The selection of the winning entries by the judges will be final and in the event of a tie, for any position, a secret written ballot will be used. All contestants will be notified in writing within 30 days of the final results.

4. The contest will be held at 4:00 p.m. Saturday, August 4, 2012:

Saginaw Bay Visitor Center, 3582 State Park Drive, Bay City, Michigan 48706

POC / Questions; Michael Driver, Program Coordinator (989) 631-5079 1-9pm EST

WWW.MIDHA.ORG



(FIGURE A)

>> RETURN THIS PAGE WITH ENTRY & FEE <<

2013 M.D.H.A, MICHIGAN WATERFOWL STAMP CONTEST
(PRINT CLEARLY!)

Artist Name: _____

Address: _____

City/State: _____ Zip: _____

Phone No.: _____

Email: _____

Web Site: _____

I HAVE READ AND AGREE TO THE TERMS OF THE 2013 CONTEST RULES.

| | |
|--|--|
| | |
|--|--|

ARTIST SIGNATURE

DATE

(rev 12/11)

Please sign below (in ink). Cut along dotted line and attach to back of entry (artwork).

2013 M.D.H.A, MICHIGAN WATERFOWL STAMP CONTEST

FOR M.D.H.A. USE ONLY

ENTRY NO: _____

Artist Signature: _____